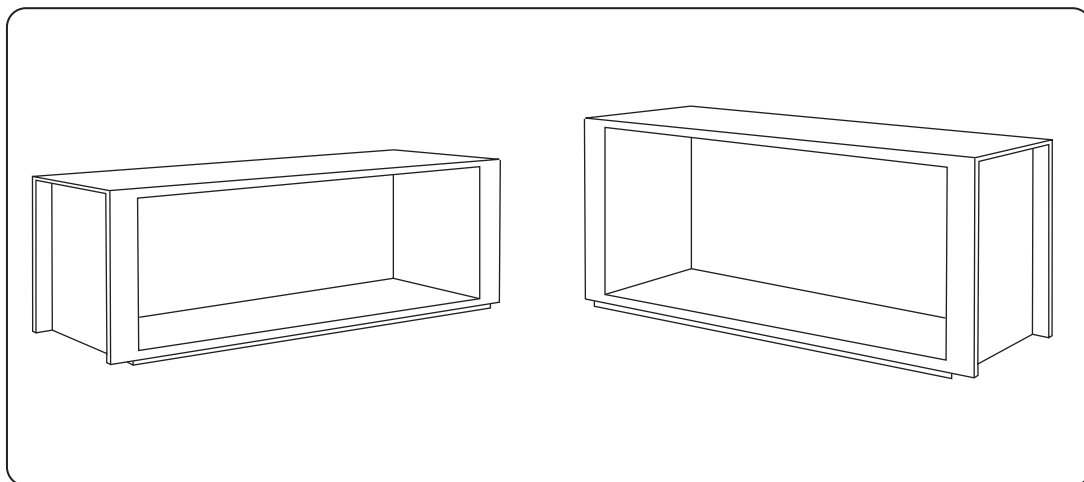




Motley Stackable Shelf by Samuel Chan

Inspired by loading pallets: these 'SHELF PALLETS' stack securely without any fittings. Build up or down as required. This extremely light movable transparent storage system can also be used as a room divider or modular library.



TECHNICAL SPECIFICATIONS

	Dimensions cm/inch	Packaging cm/inch
Motley Shelf Low	W. 35/13"8 - L. 83/32"7 - H. 28/11"	W. 40/15"7 - L. 87/34"3 - H. 34/13"4
Motley Shelf High	W. 35/13"8 - L. 83/32"7 - H. 38/15"	W. 40/15"7 - L. 87/34"3 - H. 43/16"9

	Weight kg/lbs	Vol m ³	#Cartons
Motley Shelf Low		0,12	1
Motley Shelf High		0,15	1

Color

- Motley stackable shelf Low
Walnut stained with white back
MO3WWN28
- Motley stackable shelf Low
Oak stained MO3WOK28
- Motley stackable shelf Low
Oak natural with white back
MO3WOKN28

Color

- Motley stackable shelf High
Walnut stained with white back
MO3WWN38
- Motley stackable shelf High
Oak stained MO3WOK38
- Motley stackable shelf High
Oak natural with white back
MO3WOKN38